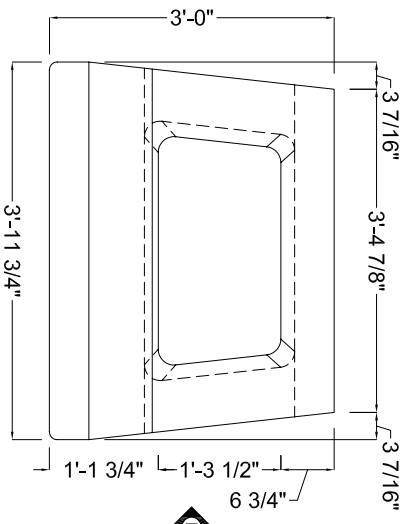
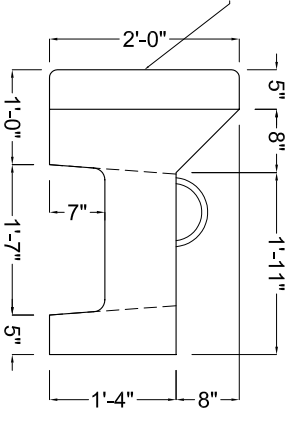


1 CONCEPTUAL BLOCK LAYOUT
NO SCALE

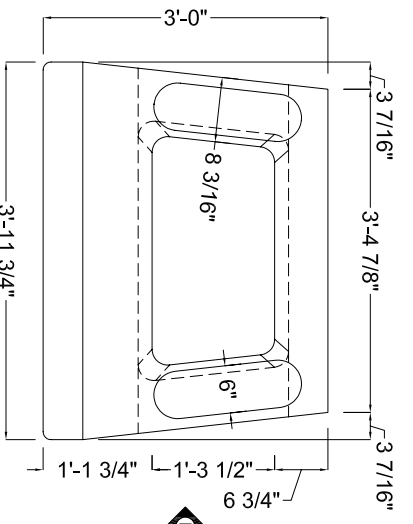


TOP VIEW

2 8 S.F. TOP BLOCK
NO SCALE

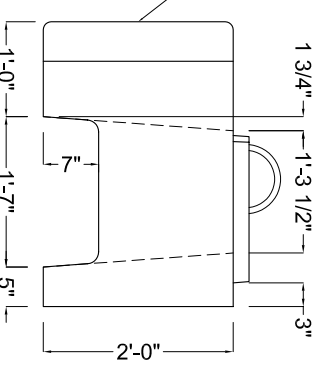


SIDE (B) VIEW

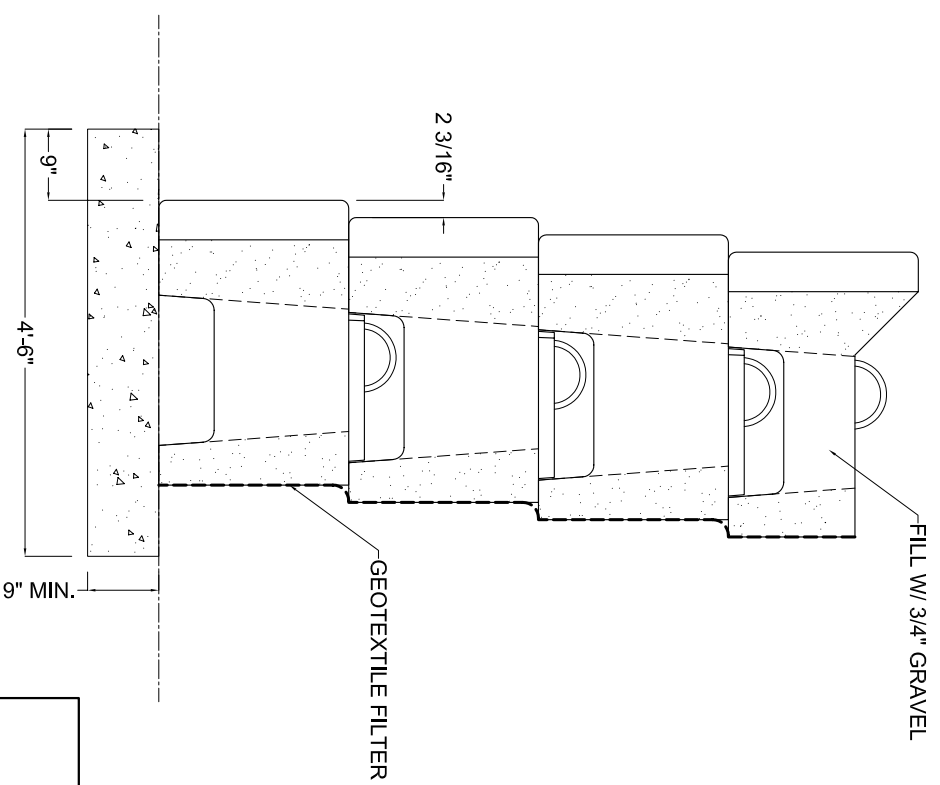


TOP VIEW

3 8 S.F. BLOCK
NO SCALE



SIDE (B) VIEW



4 WALL BASE SECTION
NO SCALE

FOR REVIEW

CHECKED BY:	JOB #
NOT ASSIGNED	NOT ASSIGNED

DRAWN BY:	DATE:
J.A.	6-7-09

PROJECT:	SHEET TITLE:
VERTI-BLOCK	VERTI-BLOCK 1.2 DETAILS

CONCEPTUAL VERTI-CRETE RETAINING WALL BLOCK	
SHEET #	P1.00