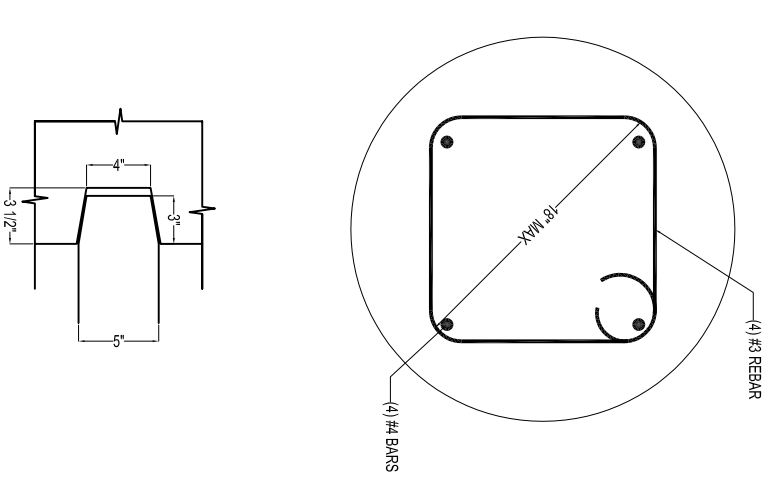


- NOTES:
1. POST AND PANEL CONCRETE TO BE 4000 PSI.
  2. FOOTING CONCRETE TO BE 3000 PSI.
  3. MINIMUM SOIL LATERAL BEARING ALLOWABLE: 150 PSF/FT. OF DEPTH BELOW GRADE
  4. MINIMUM SOIL BEARING PRESSURE ALLOWABLE: 1500 PSF.



8'-0" WALL PANEL, PIER & COLUMN

CONCRETE	
$f_c = 5,000$ PSI	$f_{ci} = 3,500$ PSI
SLUMP: 0000	FPU: 75%
FINISH: TROWEL	MIX: 0000
WEIGHT: 150 LBS. PCF.	AIR: 5%
VOLUME: - C.Y.	SHIPPING WT: - LBS.



JOB NAME:	CHECKED BY:
SOUND WALL	
DRAWN BY:	JOB #
J.A.	-
DATE:	QTY:
8-23-06	#
SHEET #	SHEET TITLE:
-	W-01