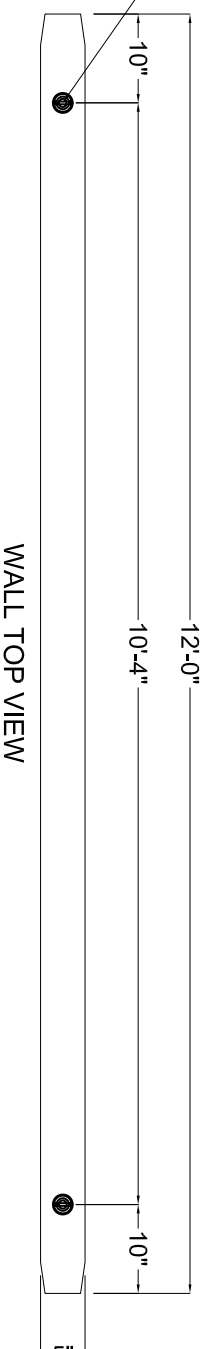


COLUMN  
TOP VIEW

(2) 3/4"Øx6" B-16  
COIL LOOP INSERTS  
W/ 1/2" RECESS

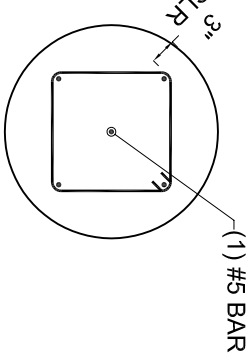
(2) 3/4"Øx6" B-16 COIL LOOP  
INSERTS W/ 1/2" RECESS



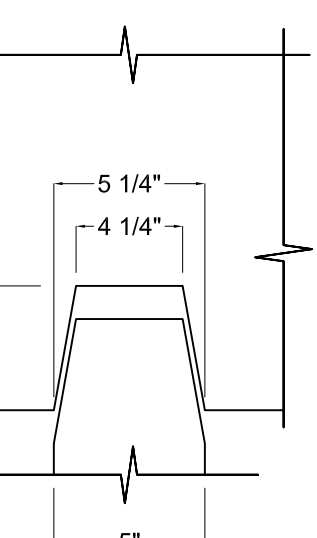
WALL TOP VIEW

#4 REBAR @ PERIMETER  
CENTER OF PANEL THICKNESS  
1 1/2" MIN. CLEAR ALL AROUND

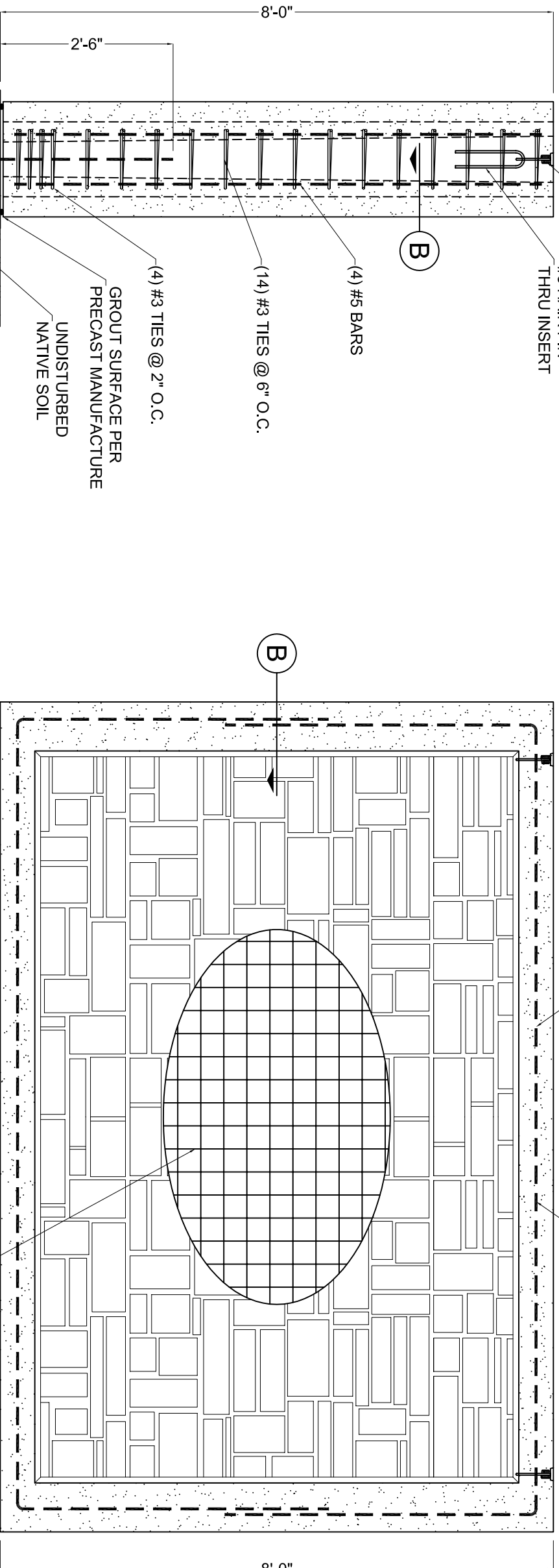
#4 PERIMETER  
THRU LOOP INSERTS (TYP.)



SECTION A



SECTION B



WALL FRONT VIEW

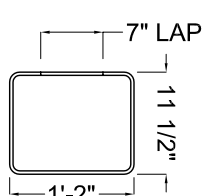
6x6-W4.0xW4.0 WWF  
CENTER IN WALL

(1) #5 REBAR DOWEL  
W/ STD. HOOK

(4) #5 BARS

#3 TIES @ 12" O.C.

FRONT VIEW



3B-01

NOTES:

1. POST AND PANEL CONCRETE TO BE 5000 PSI.
2. FOOTING CONCRETE TO BE 3000 PSI.
3. MINIMUM SOIL LATERAL BEARING ALLOWABLE: 150 PSF/FT. OF DEPTH BELOW GRADE
4. MINIMUM ALLOWABLE SOIL BEARING PRESSURE: 2000 PSF.
5. DIMENSIONS MAY BE REDUCED TO FIT PROJECT REQUIREMENTS.
6. GROUT BETWEEN POST AND FOOTING TO BE 2500 PSI.

TYP. 8' REINF. PANEL, PIER & POST

CONCRETE	
$f_c = 5,000$ PSI	$f_{ci} = 2,500$ PSI
SLUMP: 4"-9"	FPU: N/A
FINISH: PATTERN	MIX: TBD
WEIGHT: 150 LBS. PCF.	AIR: 5%
VOLUME: TBD	SHIPPING WT: TBD



SHEET TITLE:	CHECKED BY:
ENGINEERED SOUND WALL	M.S.
DRAWN BY:	SHEET #
J.A.	
DATE:	
2-7-11	

VC-5.2